



Donaldson
FILTRATION SOLUTIONS

Process Filtration From Pure to Sterile

PF-EG 0080 – 0600
Multiple Housings

MAIN FEATURES & BENEFITS:

- Standard version, etched and passivated, or Superplus version, electropolished
Ra < 0,8 µm
- Code 7 plug with retaining bracket for optimized cleaning
- Several housing connections available
- Complete stainless steel 316L construction



INDUSTRIES:



- Food and Beverage



- Dairy



- Chemical



- Pharmaceutical

Donaldson Filtration Deutschland GmbH
Büssingstr. 1
42781 Haan
Germany

Web: www.donaldson.com

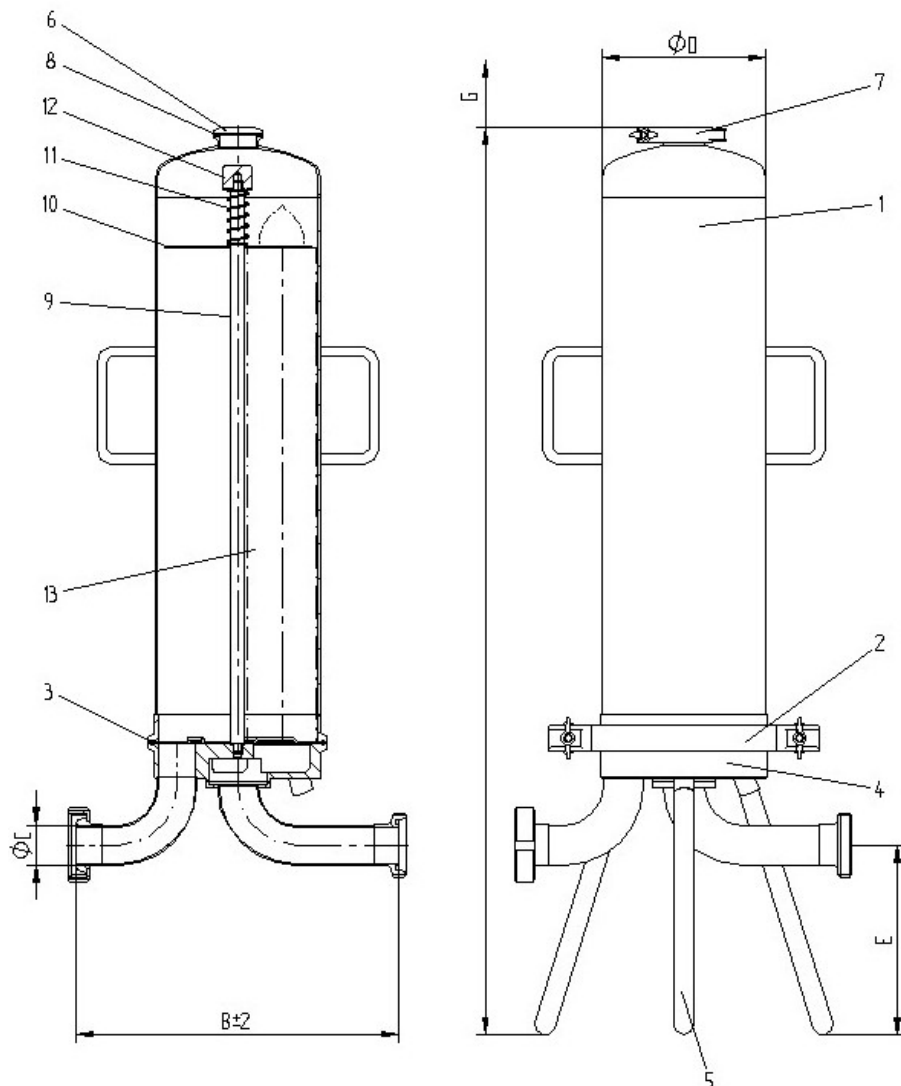
Donaldson[®]
Ultrafilter

TECHNICAL DATA STANDARD VERSION

Pos.	Name
13	filter element
12	tension nut
11	spring
10	bracket platte
9	tie rod
8	clamp gasket
7	clamp fastener
6	clamp blind linear
5	leg
4	lower housing part
3	O-ring
2	clamp screw
1	upper housing bowl

max. operating pressure for liquids:	0080 – 0375: 10 bar 0400 – 0600: 7,5 bar at min./max. operating temperature *) -25°C / +150°C
max. operating pressure for saturated steam:	3,7 bar (+150°C) (type 0600: 3 bar (+144°C))
test pressure:	14,3 bar
material housing:	1.4404
material attached parts:	1.4301
surfaces:	etched, passivated
classification acc. to 97/23/EC for fluids group 2	0080 – 0150: Art. 3, par. 3 0225 – 0600: Kat. I

*) with standard EPDM gasket, for water +1°C / +85°C!

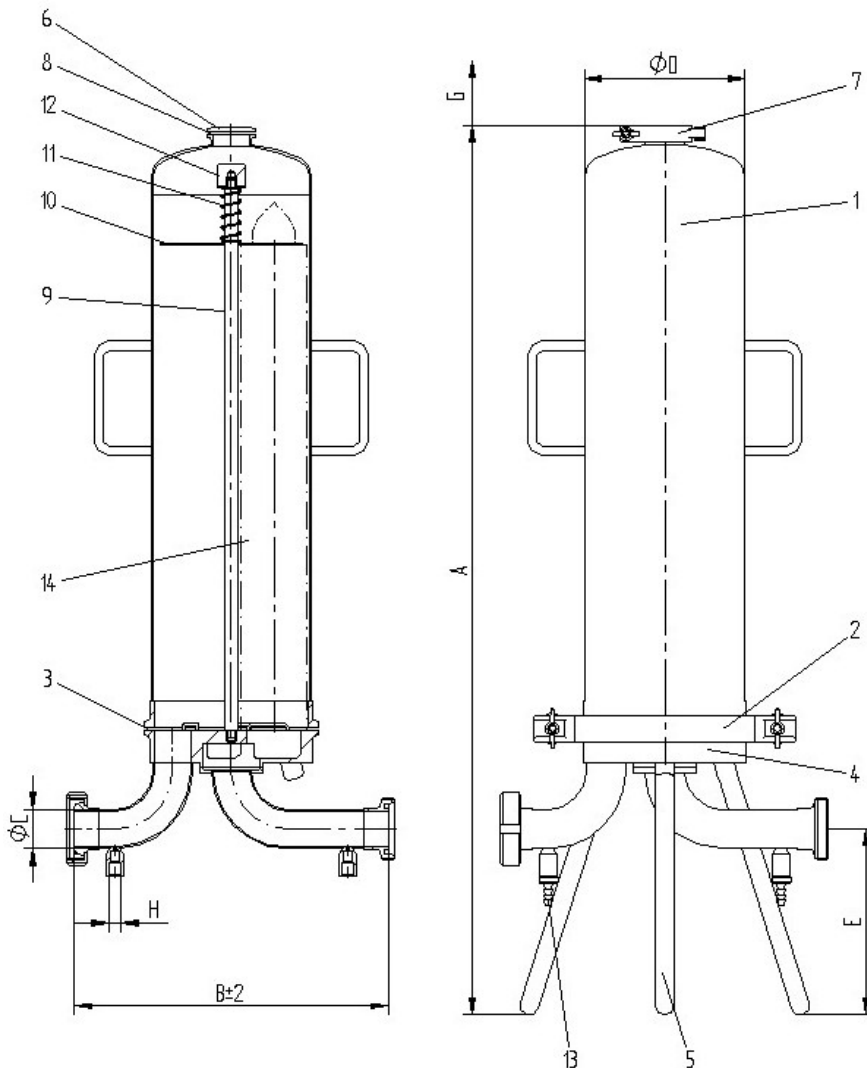


TECHNICAL DATA SUPERPLUS VERSION

Pos.	Name
14	filter element
13	pharma valve
12	tension nut
11	spring
10	bracket plate
9	tie rod
8	clamp gasket
7	clamp fastener
6	clamp blind linear
5	leg
4	lower housing part
3	O-ring
2	clamp screw
1	upper housing bowl

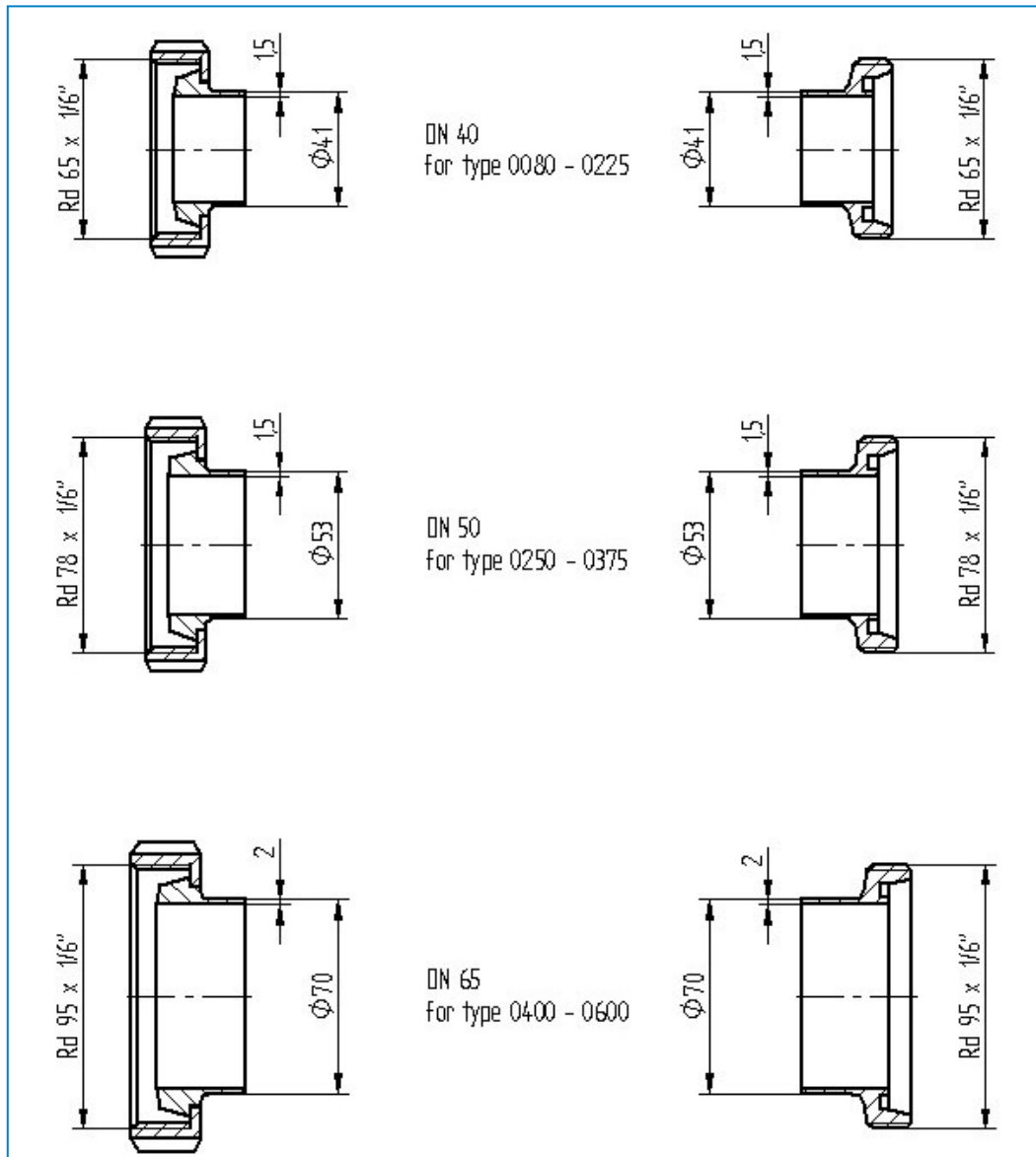
max. operating pressure for liquids:	0080 – 0375: 10 bar 0400 – 0600: 7,5 bar at min./max. operating temperature *) -25°C / +150°C
max. operating pressure for saturated steam:	3,7 bar (+150°C) (type 0600: 3 bar (+144°C))
test pressure:	14,3 bar
material housing:	1.4404
material attached parts:	1.4301
surfaces:	etched, passivated and electropolished inside and outside Ra < 0,8µm
classification acc. to 97/23/EC for fluids group 2	0800 – 0150: Art. 3, par. 3 0225 – 0600: Kat. I

*) with standard EPDM gasket, for water +1°C / +85°C!



DIMENSIONS HOUSING AND MILKPIPE CONNECTIONS

housing type	volume l	weight kg	A mm	B ±2 mm	C	ØD mm	E mm	G mm	H mm	element
0080	8,1	13,8	690	330	DN 40	DN 150	194	280	G ¼"	3x 10/30 P7
0150	12,9	16,1	935	330	DN 40	DN 150	194	580	G ¼"	3x 20/30 P7
0225	18,6	18,6	1205	330	DN 40	DN 150	194	850	G ¼"	3x 30/30 P7
0250	23,3	21,8	965	400	DN 50	DN 200	168	580	G ½"	5x 20/30 P7
0375	32,5	24,9	1215	400	DN 50	DN 200	168	850	G ½"	5x 30/30 P7
0400	46,5	33,6	985	500	DN 65	DN 300	178	580	G ½"	8x 20/30 P7
0600	64,2	37,9	1235	500	DN 65	DN 300	178	850	G ½"	8x 30/30 P7

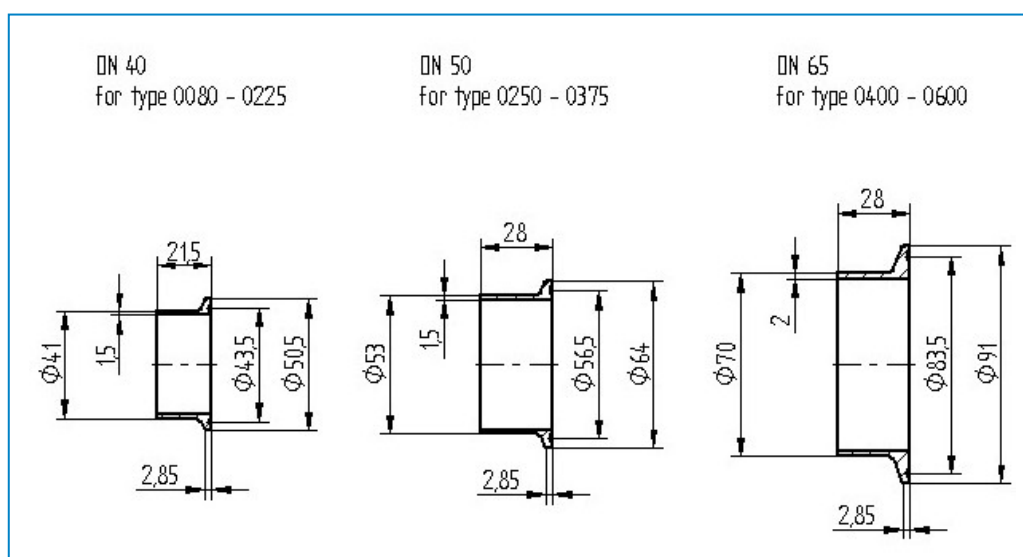


DIMENSIONS HOUSING AND FLANGE CONNECTIONS ACC. TO DIN 2576

housing type	volume l	weight kg	A mm	B ±2 mm	C mm	∅D mm	E mm	∅F mm	G mm	H mm	element
0080	8,1	16,0	690	330	DN 40	DN 150	194	150	280	G ¼"	3x 10/30 P7
0150	12,9	18,3	935	330	DN 40	DN 150	194	150	580	G ¼"	3x 20/30 P7
0225	18,6	20,8	1205	330	DN 40	DN 150	194	150	850	G ¼"	3x 30/30 P7
0250	23,3	24,0	965	400	DN 50	DN 200	168	165	580	G ½"	5x 20/30 P7
0375	32,5	27,0	1215	400	DN 50	DN 200	168	165	850	G ½"	5x 30/30 P7
0400	46,5	36,9	985	500	DN 65	DN 300	178	185	580	G ½"	8x 20/30 P7
0600	64,2	41,3	1235	500	DN 65	DN 300	178	185	850	G ½"	8x 30/30 P7

DIMENSIONS HOUSING AND CLAMP CONNECTIONS

housing type	volume l	weight kg	A mm	B ±2 mm	C mm	∅D mm	E mm	∅F mm	G mm	H mm	element
0080	8,1	13,8	690	330	DN 40	DN 150	194	50,5	280	G ¼"	3x 10/30 P7
0150	12,9	16,1	935	330	DN 40	DN 150	194	50,5	580	G ¼"	3x 20/30 P7
0225	18,6	18,6	1205	330	DN 40	DN 150	194	50,5	850	G ¼"	3x 30/30 P7
0250	23,3	21,3	965	400	DN 50	DN 200	168	64	580	G ½"	5x 20/30 P7
0375	32,5	24,1	1215	400	DN 50	DN 200	168	64	850	G ½"	5x 30/30 P7
0400	46,5	33,6	985	500	DN 65	DN 300	178	91	580	G ½"	8x 20/30 P7
0600	64,2	37,9	1235	500	DN 65	DN 300	178	91	850	G ½"	8x 30/30 P7



PRODUCT DESCRIPTION

PF-EG multiple stainless steel housings are developed for liquid filtration with a broad variety of applications. Combined with one of the various Donaldson filter elements with code 7 connections they provide superior performance.

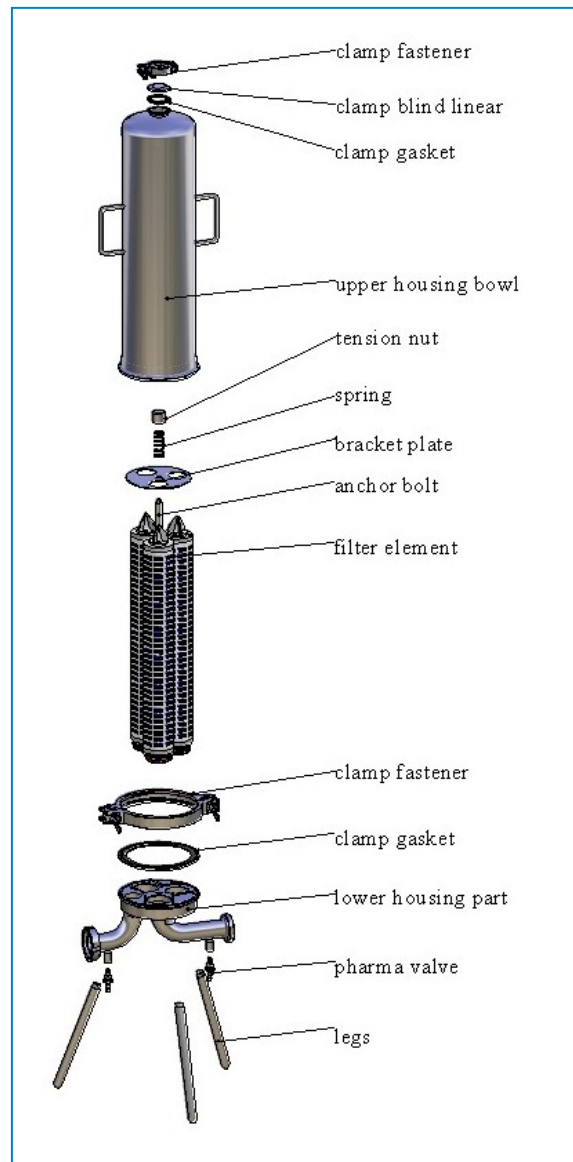
As an alternative to standard milkpipe connections, several other connection types are available. The Superplus version with a surface finish of $Ra < 0,8 \mu m$ has additional built-in pharma valves at the inlet and outlet.

The housings are available in 7 sizes with maximum flow rates ranging from 75 l/min up to 600 l/min.

DIRECTIVES

All PF-EG multiple housings, version Superplus, are designed in accordance with

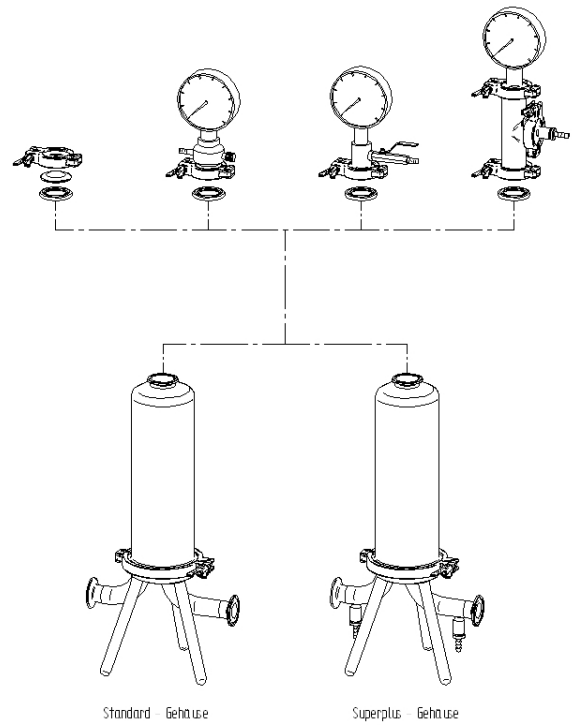
- FDA CFR Code of Federal Regulations Title 21
- Framework regulation 1935/2004/EC
- Pressure Equipment Directive 97/23/EC



ACCESSORIES

A range of suitable accessories (e.g. pressure gauges) and spare parts is available for PF-EG multiple housings.

Please contact your Donaldson Service engineer for a detailed list.



FLOW RATES

Housing		0080	0150	0225	0250	0375	0400	0600
Flow rate	l/min*	75	150	225	250	375	400	600

* Flow rates related to filter types PP, PP100, SM (5 µm) and water at 20°C

Optional available as pharma version: inside and outside electropolished to Ra < 0,5.
Larger housings are available on request.

Technical alterations reserved 08/2009

- For information on integrity test equipment or integrity test services, please contact your Donaldson Sales Engineer and visit our website at www.donaldson.com!

(Rev. 05 – 07/11)

